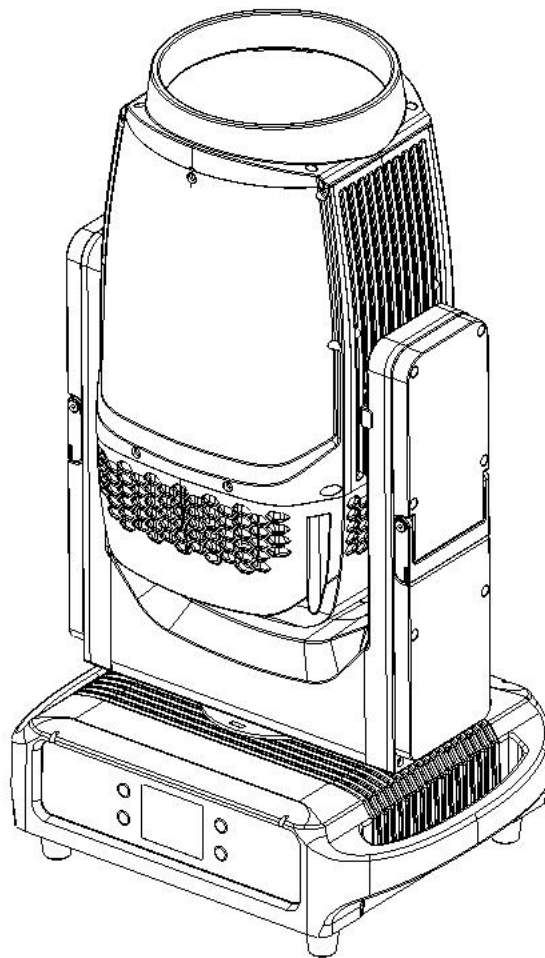


# **BEAM KING IP**

## **(PAN INFINITY)**



# **USER MANUAL**

**KEEP THIS USER MANUAL FOR FUTURE NEEDS**



Thank you for your patronage!

We are confident that our excellent products and service can satisfy you.

For your own safety, please read this user manual carefully before installing the device.

In order to install, operate, and maintain the lighting safety correctly.

We suggest that the installation and operation should be done by the verified technician and follow the instruction strictly.



**CAUTION!**

Keep this device away from rain and moisture!



**CAUTION!**

Unplug mains lead before device's installation, cleaning and maintenance!

Every person involved with the installation, operation and maintenance of device has to:

-be qualified

-follow carefully the instructions of this manual

## **INTRODUCTION**

Thank you for having chosen this professional moving head.

You will see you have acquired a powerful and versatile device.

Unpack the device. Inside the carton box you should find:

1. One power in cable
2. One 3 Pin DMX cable(5 Pin optional)
3. Folding Clamps
4. One safety rope
5. One English user manual

(Flight case is optional, please contact your dealer)

Please check carefully that there is no damage caused by transportation. Should there be any questions, please consult your dealer and don't install this device.

## **GENERAL GUIDELINES**

This device is a lighting effect for a professional use on stages, TV, in discotheques, theaters, etc., The device was designed for indoor use only.

This fixture is only allowed to be operated with the max alternating current which stated in the technical specifications in 6<sup>th</sup> page of this manual.

Lighting effects are not designed for permanent operation. Consistent operation breaks may ensure that the device will serve you for a long time without defects.

Do not shake the device. Avoid brute force when installing or operating the device.

While choosing the installation-spot, please make sure that the device is not exposed to extreme heat, moisture or dust. Please don't project the beam onto combustible substances. The minimum distance between light-output from the projector and the illuminated surface must be more than 0,5 meter.

If you use the quick lock cam in hanging up the fixture, please make sure the quick lock

fasteners turned in the quick lock holes correctly.

Operate the device only after having familiarized with its functions. Do not permit operation by persons not qualified for operating the device. Most damages are the result of unprofessional operation.

Please use the original packaging if the device is to be transported.

For safety reasons, please be aware that all modifications on the device are forbidden. If this device will be operated in any way different to the one described in this manual, the product may suffer damages and the guarantee becomes void. Furthermore, any other operation may lead to short-circuit, burns, electric shock, crash, etc.

## SAFETY INSTRUCTIONS



### CAUTION!

Be careful with your operations. With a dangerous voltage you can suffer a dangerous electric shock when touching wires!

This device has left the factory in perfect condition. In order to maintain this condition and to ensure a safe operation, it is absolutely necessary for the user to follow the safety instructions and warning notes written in this user manual.

1. In order to guarantee the product's life, please don't put it in the damp places or even the environment over 60degrees.
2. Always mount this unit in safe and stable matter.

The qualified professionals are allowed to carry out the lamp installation, operation and maintenance, but they must guarantee to operate in strict accordance with the instructions referred to.

#### ▲ Important:

**Damages caused by the disregard of this user manual are not subject to warranty. The dealer will not accept liability for any resulting defects or problems.**

If the device has been exposed to temperature changes due to environmental changes, do not switch it on immediately. The arising condensation could damage the device. Leave the device switched off until it has reached room temperatures.

This device falls under protection-class I. Therefore it is essential that the device be earthed.

The electric connection must carry out by qualified person.

Make sure the power cord is never crimped or damaged by sharp edges. If this would be the case, replacement of the cable must be done by an authorized dealer.

Always disconnect from the mains, when the device is not in use or before cleaning it. Only handle the power cord by the plug. Never pull out the plug by tugging the power cord. During initial start-up some smoke or smell may arise. This is a normal process and does not necessarily mean that the device is defective, it should decrease gradually.

Please don't project the beam onto combustible substances.

If the external flexible cable or cord of this luminaire is damaged, it shall be exclusively replaced by the manufacturer or his service agent or a similar qualified person in order to avoid a hazard.



**CAUTION!**

Never touch the device during operation!  
The housing may heat up!



**CAUTION!**

Never look directly into the light source,  
As sensitive persons may suffer an epileptic shock.

**Please be aware that damages caused by manual modifications to be the device are not subject to warranty. Keep away from children and non-professionals.**

## **CLEANING AND MAINTENANCE**

1. To reduce the risk of electrical shock or fire, do not expose this unit to rain or moisture.
2. Do not spill water or other liquids into or on to your unit.
3. During long periods of non-use, disconnect the unit's main power.
4. It should be installed in a well-ventilated place, at a distance of 50 centimeters or more with the walls. At the same time, please check if the fan and ventilation holes are unobstructed.

The following points have to be considered during the inspection

- 1) All screws for installing the devices or parts of the device have to be tightly connected and must not be corroded.
- 2) There must not be any deformations on the housing. Fixations and installations spots(ceiling, suspension, trussing).
- 3) Mechanically moved parts must not show any traces of wearing and must not rotate with unbalances.
- 4) The electric power supply cables must not show any damage, material fatigue or sediments. Further instructions depending on the installation spot and usage have to be adhered by a skilled installer and any safety problems have to be removed.



**CAUTION!**

Disconnect from mains before starting maintenance operation!

In order to make the lights in good condition and extend the life time, we suggest a regular cleaning to the lights.

- 1) Clean the inside and outside lens each week to avoid the weakness of the lights due to accumulation of dust.
- 2) Clean the fan each week.
- 3) A detailed electric check by approved electrical engineer each three month, make sure that the circuit contacts are in good condition, prevent the poor contact of circuit from overheating.

We recommend a frequent cleaning of the device.

Please use a moist, lint-free cloth. Never use alcohol or solvents !

# TECHNICAL PARAMETERS

## LIGHT SOURCE & OPTIC

Light source: Philips 420W LL (Optional Ushio 450W)

CRI up to 77

Lifespan: 3500H

Color temperature: 7800K

Lens diameter: 180mm

Beam angle: 1.7 degrees

## EFFECTS

Fixed color wheel with 12 dichroic colors

CMY color mixing system

3600-6600K CTO linear adjustable

1 Static Gobo Wheel with 17 gobos

1 Linear heavy frost 15° for wash effect

Total 6 kinds of prism with rotation in both directions at variable speed to make 15 kinds of Prism effect

Strobe: Multiple speed strobe

Dimming: 0-100% smooth dimming

Focus: Electric focus system

## CONTROL & PROGRAM

4 touch buttons

Control: DMX512/RDM optional Artnet/CRMX

DMX Channel: 18CH/29CH/30CH

## POWER SUPPLY

Input voltage: AC100-240V 50/60Hz

Consumed Power: 600W

Power connectors: Seetronic PowerCon True1 IN/OUT

DMX connectors: Seetronic 3-Pin XLR IN/OUT Optional 5Pin

## MOVEMENT

Pan: Infinity / Tilt: 270 degrees

P/T position: Auto correction

P/T: 16bit scanning

## BODY

Working in any position

Magnesium Aluminum IP66 body

Pan/Tilt lock for safe transportation and maintenance

Two side hidden handles for transportation

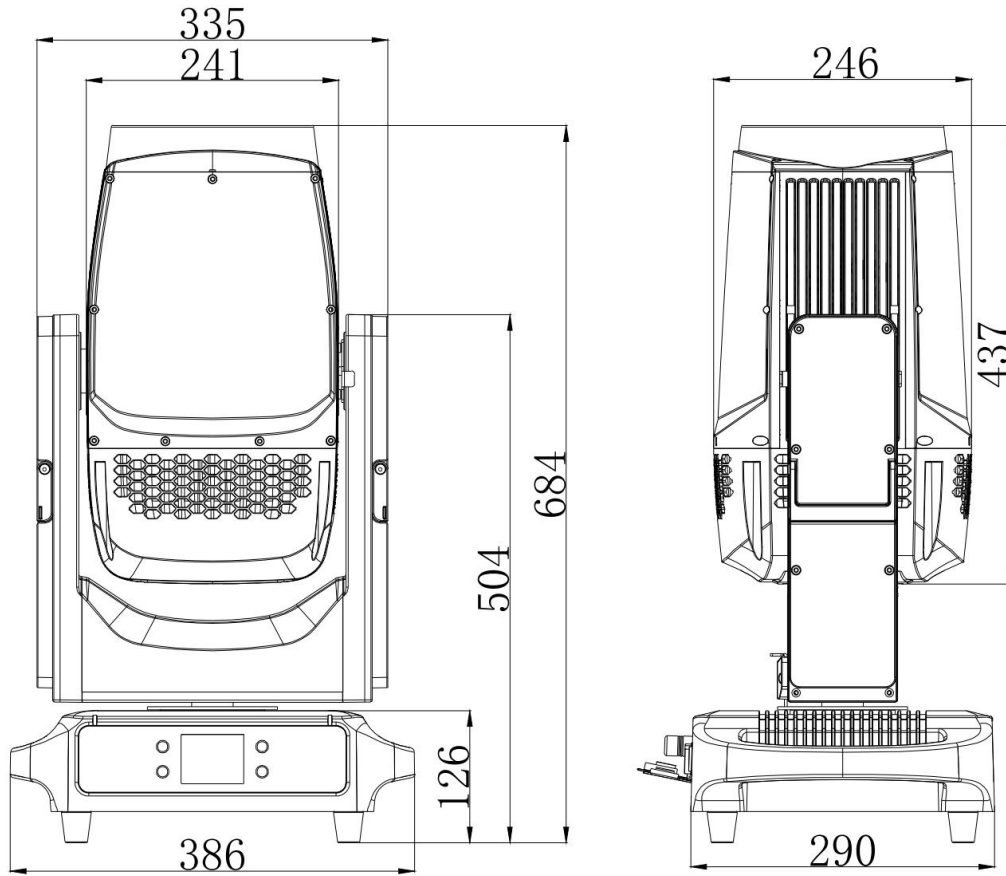
**WEIGHT & SIZE**

NW: 26kg(Not including clamps)

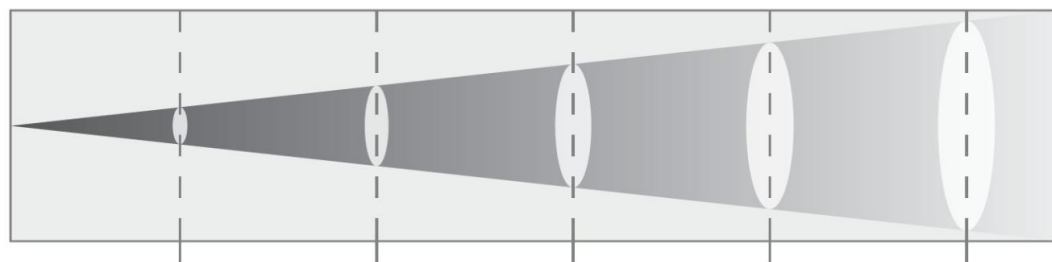
Carton box 1in1:775\*415\*475mm/30KG

Flight case 2in1:810\*480\*920mm/90KG

Fixture size: 386\*290\*684mm(L\*W\*H)

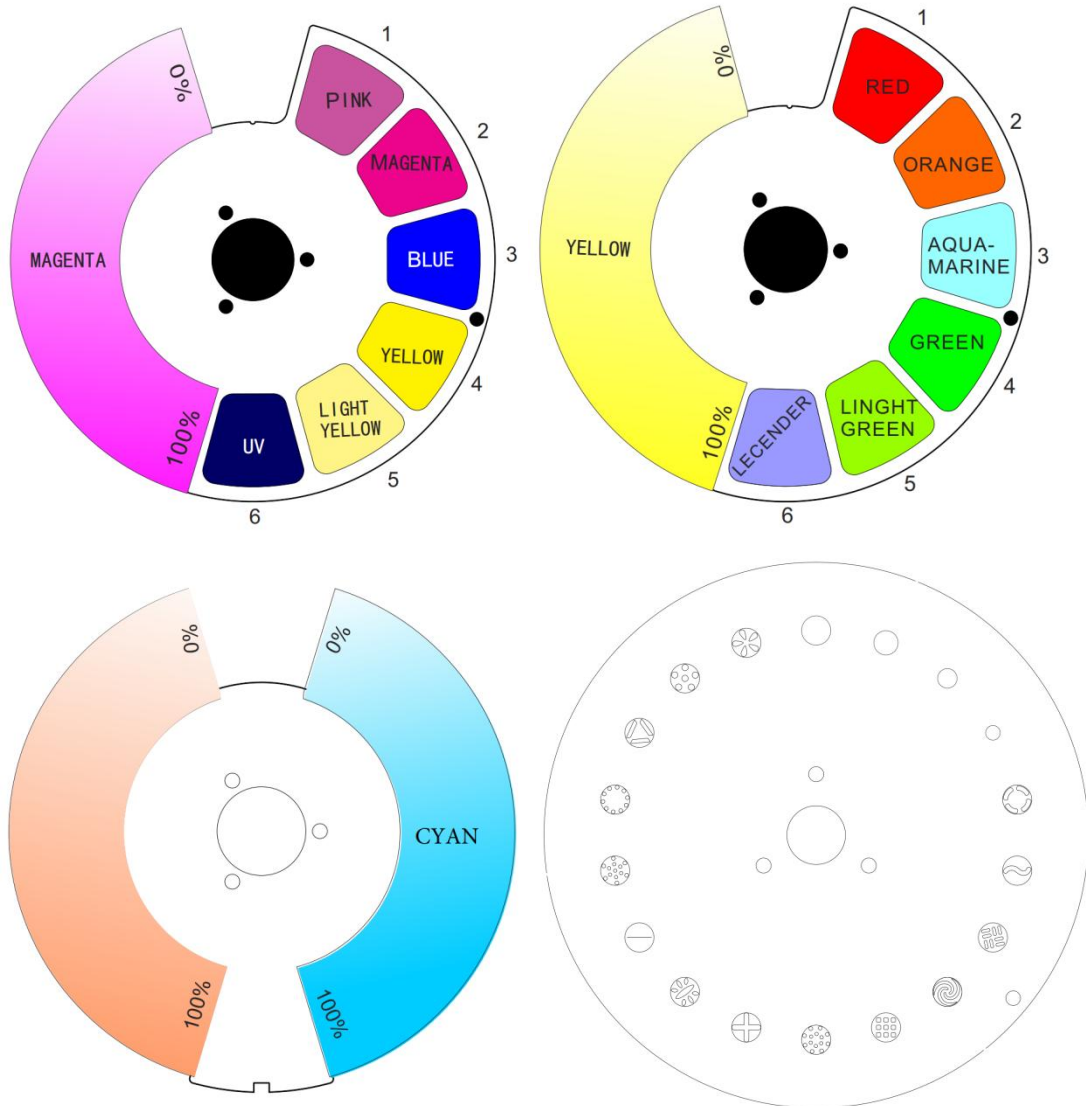


**PHOTOMETRICS DIAGRAM**

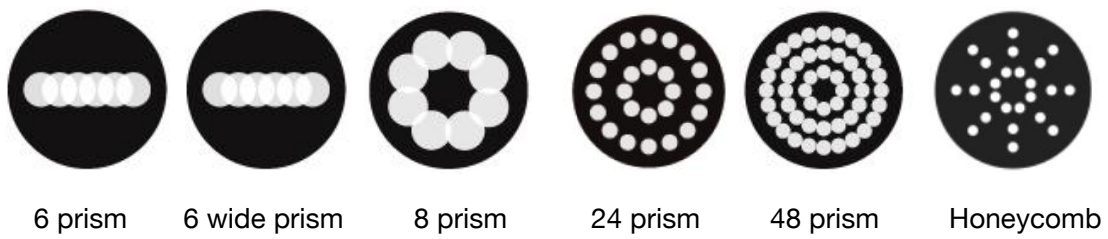


Distance(m):	10	20	25	30	50
Illuminance(lux):	826000	206500	132160	91780	33040
Spot diameter(m):	0.3	0.59	0.74	0.89	1.48

## COLOR SYSTEM & GOBOS



## PRISMS



## FROST 15°



# MENU

LEVEL 1	LEVEL 2	LEVEL 3	LEVEL 4	LEVEL 5	LEVEL 6
DMX Setup	DMX Adress	1-512			
	Channel Mode	30CH			
		18CH			
		29CH			
	Run mode	DMX			
		Auto			
Personality	Pan Inverse	No			
		Yes			
	Tilt Inverse	No			
		Yes			
	Tilt Feedback	Off			
		On			
	No data mode	Blackout			
		Hold			
	Lamp mode	Manual			
		Reset			
	Lamp	Off			
		On			
Display	Display Rotate	Normal			

		Rotate 180°			
	Screen Switch	Off			
		On			
	Screen Lock	Off			
		On			
	Language	English			
		Chinese			
Motor Reset	All	No			
		Yes			
	Tilt	No			
		Yes			
	Effect	No			
		Yes			
Manual Control	Cyan	0-255			
	...	0-255			
	Lamp	0-255			
DMX Live	Cyan	0-255			
	...	0-255			
	Lamp	0-255			
Service	Password	Calibration	Motor	Pan	-128 - >127
				...	-128 - >127
		Factory Default	No		

			Yes		
		Clear Power on time	No		
			Yes		
		Clear lamp hours	No		
			Yes		
Informatio	Power on time	xxxxxH			
	LED hours	xxxxxH			
	SW Version	1U:Vx.x.x			
		2U:Vx.x.x			
		3U:Vx.x.x			
		4U:Vx.x.x			
	RDM UID	0xXXXXX-XXXXXXXX			

# CHANNEL LIST

## 30CH

30CH	FUNCTION	VALUE	DESCRIPTION
1	<b>Cyan</b>	0-255	0-100%
2	<b>Cyan Fine</b>	0-255	0-100%
3	<b>Magenta</b>	0-255	0-100%
4	<b>Magenta Fine</b>	0-255	0-100%
5	<b>Yellow</b>	0-255	0-100%
6	<b>Yellow Fine</b>	0-255	0-100%
7	<b>CTO</b>	0-255	0-100%
8	<b>CTO Fine</b>	0-255	0-100%
9	<b>Color 1</b>	000-007	White light
		008-016	Color 1
		017-025	Color 2
		026-034	Color 3
		035-043	Color 4
		044-052	Color 5
		053-063	Color 6
		064-067	White light + Color 1
		068-071	Color 1
		072-075	Color 1 + Color 2
		076-079	Color 2

		080-083	Color 2 + Color 3
		084-087	Color 3
		088-091	Color 3 + Color 4
		092-095	Color 4
		096-099	Color 4 + Color 5
		100-103	Color 5
		104-107	Color 5 + Color 6
		108-115	Color 6
		116-255	Color wheel 1 swings back and forth
10	<b>Color 2</b>	000-007	White light
		008-016	Color 1
		017-025	Color 2
		026-034	Color 3
		035-043	Color 4
		044-052	Color 5
		053-063	Color 6
		064-067	White light + Color 1
		068-071	Color 1
		072-075	Color 1 + Color 2
		076-079	Color 2
		080-083	Color 2 + Color 3
		084-087	Color 3

		088–091	Color 3 + Color 4
		092–095	Color 4
		096–099	Color 4 + Color 5
		100–103	Color 5
		104–107	Color 5 + Color 6
		108–115	Color 6
		116–255	Color wheel 2 swings back and forth
11	<b>Strobe</b>	000–003	Close
		004–103	Conventional strobe from slow to fast
		104–107	Open
		108–207	Pulse strobe from slow to fast
		208–212	Open
		213–251	Random strobe from slow to fast
		252–255	Open
12	<b>Dimmer</b>	000–255	Dimmer 0–100%
13	<b>Dimmer Fine</b>	000–255	Dimmer 0–100%
14	<b>Fixed gobo</b>	000–004	No gobo
		005–009	Gobo 1
		010–014	Gobo 2
		015–019	Gobo 3
		020–024	Gobo 4
		025–029	Gobo 5

		030-034	Gobo 6
		035-039	Gobo 7
		040-044	Gobo 8
		045-049	Gobo 9
		050-054	Gobo 10
		055-059	Gobo 11
		060-064	Gobo 12
		065-069	Gobo 13
		070-074	Gobo 14
		075-079	Gobo 15
		080-084	Gobo 16
		085-089	Gobo 17
		090-094	Gobo 1 shaking, slow to fast
		095-099	Gobo 2 shaking, slow to fast
		100-104	Gobo 3 shaking, slow to fast
		105-109	Gobo 4 shaking, slow to fast
		110-114	Gobo 5 shaking, slow to fast
		115-119	Gobo 6 shaking, slow to fast
		120-124	Gobo 7 shaking, slow to fast
		125-129	Gobo 8 shaking, slow to fast
		130-134	Gobo 9 shaking, slow to fast
		135-139	Gobo 10 shaking, slow to fast

		140–144	Gobo 11 shaking, slow to fast
		145–149	Gobo 12 shaking, slow to fast
		150–154	Gobo 13 shaking, slow to fast
		155–159	Gobo 14 shaking, slow to fast
		160–164	Gobo 15 shaking, slow to fast
		165–169	Gobo 16 shaking, slow to fast
		170–174	Gobo 17 shaking, slow to fast
		175–214	Forward rotation,fast to slow
		215–215	Stop
		216–255	Reverse rotation, slow to fast
15	<b>Prism 1</b>	000–063	No function
		064–127	Prism 1
		128–191	Prism 2
		192–255	Prism 3
16	<b>Prism 1 –R</b>	000–127	Prism 1 angle adjustment
		128–190	Prism 1 rotation, fast to slow
		191–192	Stop
		193–255	Prism 1 rotation, slow to fast
17	<b>Prism 2</b>	000–063	No function
		064–127	Prism 4
		128–191	Prism 5
		192–255	Prism 6

18	<b>Prism 2 – R</b>	000–127	Prism 2 angle adjustment
		128–190	Prism 2 rotation, fast to slow
		191–192	Stop
		193–255	Prism 2 rotation, slow to fast
19	<b>Frost</b>	000–127	No frost
		128–255	Frost q cut in
20	<b>Focus</b>	000–255	0–100%
21	<b>Pan</b>	000–255	0–100%
22	<b>Pan fine</b>	000–255	0–100%
23	<b>Pan Rot Dir</b>	000–127	CCW
		128–130	CW
25	<b>Tilt</b>	000–255	0–100%
26	<b>Tilt fine</b>	000–255	0–100%
27	<b>P/T Speed</b>	000–255	Horizontal and vertical speed, from fast to slow
28	<b>Function</b>	210–215	XY motor reset, hold for 3 seconds
		220–235	Reset the head and hold for 3 seconds
		240–255	Reset all motors and hold for 3 seconds
29	<b>Reset</b>	210–215	Reset the head motor and hold for 3 seconds
		220–235	Reset XY, hold for 3 seconds
		240–255	Reset all motors and hold for 3 seconds
30	<b>Lamp</b>	100–105	Defoam, hold for 3 seconds
		200–205	Start foaming, hold for 3 seconds

## 18CH

18CH	FUNCTION	VALUE	DESCRIPTION
1	Color 1	000-007	White light
		008-016	Color 1
		017-025	Color 2
		026-034	Color 3
		035-043	Color 4
		044-052	Color 5
		053-063	Color 6
		064-067	White light + Color 1
		068-071	Color 1
		072-075	Color 1 + Color 2
		076-079	Color 2
		080-083	Color 2 + Color 3
		084-087	Color 3
		088-091	Color 3 + Color 4
		092-095	Color 4
		096-099	Color 4 + Color 5
		100-103	Color 5
		104-107	Color 5 + Color 6
108-115	Color 6		
116-255	Color wheel 1 swings back and forth		

2	<b>Color 2</b>	000-007	White light
		008-016	Color 1
		017-025	Color 2
		026-034	Color 3
		035-043	Color 4
		044-052	Color 5
		053-063	Color 6
		064-067	White light + Color 1
		068-071	Color 1
		072-075	Color 1 + Color 2
		076-079	Color 2
		080-083	Color 2 + Color 3
		084-087	Color 3
		088-091	Color 3 + Color 4
		092-095	Color 4
		096-099	Color 4 + Color 5
		100-103	Color 5
		104-107	Color 5 + Color 6
108-115	Color 6		
116-255	Color wheel 2 swings back and forth		
3	<b>Strobe</b>	000-003	Close
		004-103	Conventional strobe from slow to fast

		104–107	Open
		108–207	Pulse strobe from slow to fast
		208–212	Open
		213–251	Random strobe from slow to fast
		252–255	Open
4	<b>Dimmer</b>	000–255	Dimmer 0–100%
5	<b>Fixed gobo</b>	000–004	No gobo
		005–009	Gobo 1
		010–014	Gobo 2
		015–019	Gobo 3
		020–024	Gobo 4
		025–029	Gobo 5
		030–034	Gobo 6
		035–039	Gobo 7
		040–044	Gobo 8
		045–049	Gobo 9
		050–054	Gobo 10
		055–059	Gobo 11
		060–064	Gobo 12
		065–069	Gobo 13
		070–074	Gobo 14
075–079	Gobo 15		

		080-084	Gobo 16
		085-089	Gobo 17
		090-094	Gobo 1 shaking, slow to fast
		095-099	Gobo 2 shaking, slow to fast
		100-104	Gobo 3 shaking, slow to fast
		105-109	Gobo 4 shaking, slow to fast
		110-114	Gobo 5 shaking, slow to fast
		115-119	Gobo 6 shaking, slow to fast
		120-124	Gobo 7 shaking, slow to fast
		125-129	Gobo 8 shaking, slow to fast
		130-134	Gobo 9 shaking, slow to fast
		135-139	Gobo 10 shaking, slow to fast
		140-144	Gobo 11 shaking, slow to fast
		145-149	Gobo 12 shaking, slow to fast
		150-154	Gobo 13 shaking, slow to fast
		155-159	Gobo 14 shaking, slow to fast
		160-164	Gobo 15 shaking, slow to fast
		165-169	Gobo 16 shaking, slow to fast
		170-174	Gobo 17 shaking, slow to fast
		175-214	Forward rotation,fast to slow
		215-215	Stop
		216-255	Reverse rotation, slow to fast

6	<b>Prism 1</b>	000–063	No function
		064–127	Prism 1
		128–191	Prism 2
		192–255	Prism 3
7	<b>Prism 1 –R</b>	000–127	Prism 1 angle adjustment
		128–190	Prism 1 rotation, fast to slow
		191–192	Stop
		193–255	Prism 1 rotation, slow to fast
8	<b>Prism 2</b>	000–063	No function
		064–127	Prism 4
		128–191	Prism 5
		192–255	Prism 6
9	<b>Prism 2 – R</b>	000–127	Prism 2 angle adjustment
		128–190	Prism 2 rotation, fast to slow
		191–192	Stop
		193–255	Prism 2 rotation, slow to fast
10	<b>Frost</b>	000–127	No frost
		128–255	Frost q cut in
11	<b>Focus</b>	000–255	0–100%
12	<b>Pan</b>	000–255	0–100%
13	<b>Pan fine</b>	000–255	0–100%
14	<b>Tilt</b>	000–255	0–100%

15	<b>Tilt fine</b>	000–255	0–100%
16	<b>Function</b>	210–215	XY motor reset, hold for 3 seconds
		220–235	Reset the head and hold for 3 seconds
		240–255	Reset all motors and hold for 3 seconds
17	<b>Reset</b>	210–215	Reset the head motor and hold for 3 seconds
		220–235	Reset XY, hold for 3 seconds
		240–255	Reset all motors and hold for 3 seconds
18	<b>Lamp</b>	100–105	Defoam, hold for 3 seconds
		200–205	Start foaming, hold for 3 seconds

## 29CH

29CH	FUNCTION	VALUE	DESCRIPTION
1	<b>Color 1</b>	000–007	White light
		008–016	Color 1
		017–025	Color 2
		026–034	Color 3
		035–043	Color 4
		044–052	Color 5
		053–063	Color 6
		064–067	White light + Color 1
		068–071	Color 1
		072–075	Color 1 + Color 2

		076–079	Color 2
		080–083	Color 2 + Color 3
		084–087	Color 3
		088–091	Color 3 + Color 4
		092–095	Color 4
		096–099	Color 4 + Color 5
		100–103	Color 5
		104–107	Color 5 + Color 6
		108–115	Color 6
		116–255	Color wheel 1 swings back and forth
2	<b>Color 2</b>	000–007	White light
		008–016	Color 1
		017–025	Color 2
		026–034	Color 3
		035–043	Color 4
		044–052	Color 5
		053–063	Color 6
		064–067	White light + Color 1
		068–071	Color 1
		072–075	Color 1 + Color 2
		076–079	Color 2
		080–083	Color 2 + Color 3

		084–087	Color 3
		088–091	Color 3 + Color 4
		092–095	Color 4
		096–099	Color 4 + Color 5
		100–103	Color 5
		104–107	Color 5 + Color 6
		108–115	Color 6
		116–255	Color wheel 2 swings back and forth
3	<b>Strobe</b>	000–003	Close
		004–103	Conventional strobe from slow to fast
		104–107	Open
		108–207	Pulse strobe from slow to fast
		208–212	Open
		213–251	Random strobe from slow to fast
		252–255	Open
4	<b>Dimmer</b>	000–255	Dimmer 0–100%
5	<b>Fixed gobo</b>	000–004	No gobo
		005–009	Gobo 1
		010–014	Gobo 2
		015–019	Gobo 3
		020–024	Gobo 4
		025–029	Gobo 5

		030-034	Gobo 6
		035-039	Gobo 7
		040-044	Gobo 8
		045-049	Gobo 9
		050-054	Gobo 10
		055-059	Gobo 11
		060-064	Gobo 12
		065-069	Gobo 13
		070-074	Gobo 14
		075-079	Gobo 15
		080-084	Gobo 16
		085-089	Gobo 17
		090-094	Gobo 1 shaking, slow to fast
		095-099	Gobo 2 shaking, slow to fast
		100-104	Gobo 3 shaking, slow to fast
		105-109	Gobo 4 shaking, slow to fast
		110-114	Gobo 5 shaking, slow to fast
		115-119	Gobo 6 shaking, slow to fast
		120-124	Gobo 7 shaking, slow to fast
		125-129	Gobo 8 shaking, slow to fast
		130-134	Gobo 9 shaking, slow to fast
		135-139	Gobo 10 shaking, slow to fast

		140–144	Gobo 11 shaking, slow to fast
		145–149	Gobo 12 shaking, slow to fast
		150–154	Gobo 13 shaking, slow to fast
		155–159	Gobo 14 shaking, slow to fast
		160–164	Gobo 15 shaking, slow to fast
		165–169	Gobo 16 shaking, slow to fast
		170–174	Gobo 17 shaking, slow to fast
		175–214	Forward rotation,fast to slow
		215–215	Stop
		216–255	Reverse rotation, slow to fast
6	<b>Prism 1</b>	000–063	No function
		064–127	Prism 1
		128–191	Prism 2
		192–255	Prism 3
7	<b>Prism 1 –R</b>	000–127	Prism 1 angle adjustment
		128–190	Prism 1 rotation, fast to slow
		191–192	Stop
		193–255	Prism 1 rotation, slow to fast
8	<b>Prism 2</b>	000–063	No function
		064–127	Prism 4
		128–191	Prism 5
		192–255	Prism 6

9	<b>Prism 2 – R</b>	000–127	Prism 2 angle adjustment
		128–190	Prism 2 rotation, fast to slow
		191–192	Stop
		193–255	Prism 2 rotation, slow to fast
10	<b>Frost</b>	000–127	No frost
		128–255	Frost q cut in
11	<b>Focus</b>	000–255	0–100%
12	<b>Pan</b>	000–255	0–100%
13	<b>Pan fine</b>	000–255	0–100%
14	<b>Tilt</b>	000–255	0–100%
15	<b>Tilt fine</b>	000–255	0–100%
16	<b>Function</b>	210–215	XY motor reset, hold for 3 seconds
		220–235	Reset the head and hold for 3 seconds
		240–255	Reset all motors and hold for 3 seconds
17	<b>Reset</b>	210–215	Reset the head motor and hold for 3 seconds
		220–235	Reset XY, hold for 3 seconds
		240–255	Reset all motors and hold for 3 seconds
18	<b>Lamp</b>	100–105	Defoam, hold for 3 seconds
		200–205	Start foaming, hold for 3 seconds
19	<b>Cyan</b>	0–255	0–100%
20	<b>Cyan Fine</b>	0–255	0–100%
21	<b>Magenta</b>	0–255	0–100%

22	<b>Magenta Fine</b>	0-255	0-100%
23	<b>Yellow</b>	0-255	0-100%
24	<b>Yellow Fine</b>	0-255	0-100%
25	<b>CTO</b>	0-255	0-100%
26	<b>CTO Fine</b>	0-255	0-100%
27	<b>Pan Rot</b>	000-000	Stop
		001-255	Forward rotation from slow to fast
28	<b>Pan Rot Dir</b>	000-127	CCW
		128-255	CW
29	<b>P/T Speed</b>	000-255	Horizontal and vertical speed, from fast to slow

## REMARK

The product has perfect performance and integrity packing. All users should be strictly comply with the warning

and operating instructions as stated. Or we aren't in charge of any result by misusing.

Any damage resulting by misuse is not within the Company's warranty.

Any fault or problem caused by neglecting the manual is also not in the charge of dealers.

Errors and omissions for every information given in this manual excepted.

All information is subject to change without prior notice.

**Thank you again for your patronage!**  
**We will be offering sincere service as always,**  
**Wish you have a good lighting journey!**