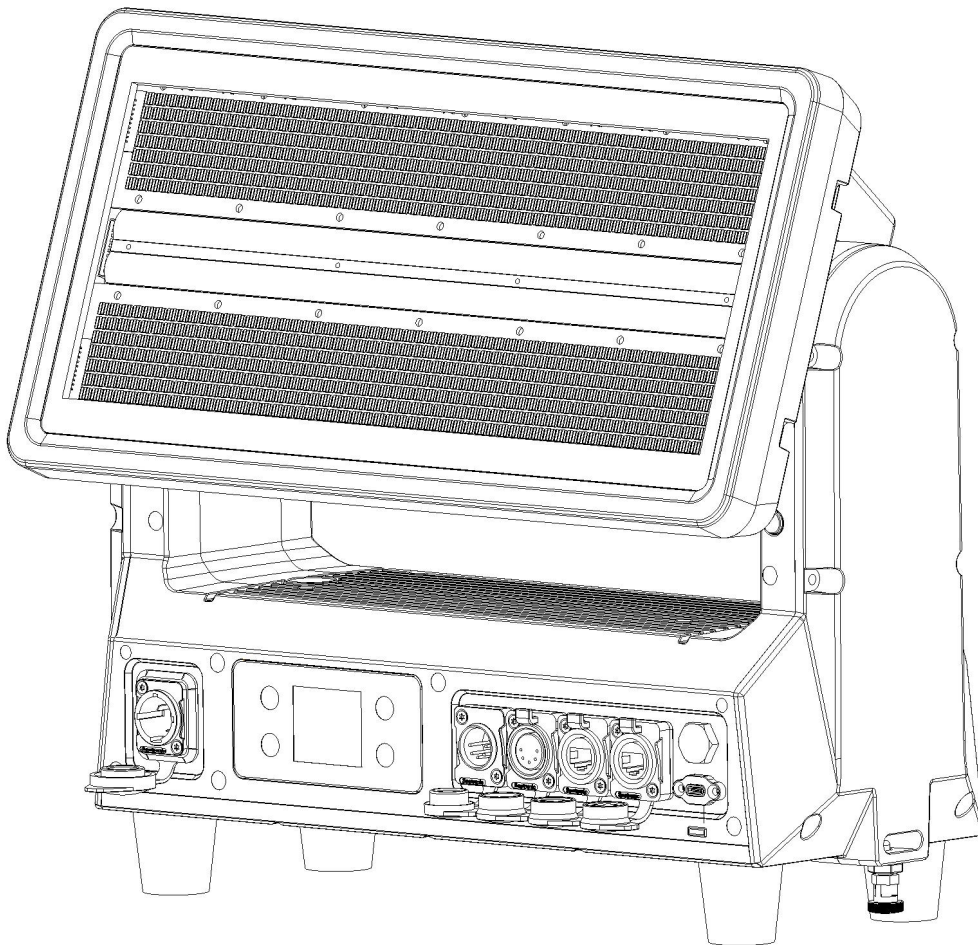


# STRIKE PRO



## USER MANUAL

KEEP THIS USER MANUAL FOR FUTURE NEEDS



Thank you for your patronage!

We are confident that our excellent products and service can satisfy you.

For your own safety, please read this user manual carefully before installing the device.

In order to install, operate, and maintain the lighting safety correctly.

We suggest that the installation and operation should be done by the verified technician and follow the instruction strictly.



**CAUTION!**

Keep this device away from rain and moisture!



**CAUTION!**

Unplug mains lead before device's installation, cleaning and maintenance!

Every person involved with the installation, operation and maintenance of device has to:

-be qualified

-follow carefully the instructions of this manual

## **INTRODUCTION**

Thank you for having chosen this professional moving head.

You will see you have acquired a powerful and versatile device.

Unpack the device. Inside the carton box you should find:

1. One power in cable
2. One 3 Pin DMX cable(5 Pin optional)
3. Folding Clamps
4. One safety rope
5. One English user manual

(Flight case is optional, please contact your dealer)

Please check carefully that there is no damage caused by transportation. Should there be any questions, please consult your dealer and don't install this device.

## **GENERAL GUIDELINES**

This device is a lighting effect for a professional use on stages, TV, in discotheques, theaters, etc., The device was designed for indoor use only.

This fixture is only allowed to be operated with the max alternating current which stated in the technical specifications in 6<sup>th</sup> page of this manual.

Lighting effects are not designed for permanent operation. Consistent operation breaks may ensure that the device will serve you for a long time without defects.

Do not shake the device. Avoid brute force when installing or operating the device.

While choosing the installation-spot, please make sure that the device is not exposed to extreme heat, moisture or dust. Please don't project the beam onto combustible substances. The minimum distance between light-output from the projector and the illuminated surface must be more than 0,5 meter.

If you use the quick lock cam in hanging up the fixture, please make sure the quick lock

fasteners turned in the quick lock holes correctly.

Operate the device only after having familiarized with its functions. Do not permit operation by persons not qualified for operating the device. Most damages are the result of unprofessional operation.

Please use the original packaging if the device is to be transported.

For safety reasons, please be aware that all modifications on the device are forbidden. If this device will be operated in any way different to the one described in this manual, the product may suffer damages and the guarantee becomes void. Furthermore, any other operation may lead to short-circuit, burns, electric shock, crash, etc.

## SAFETY INSTRUCTIONS



### CAUTION!

Be careful with your operations. With a dangerous voltage you can suffer a dangerous electric shock when touching wires!

This device has left the factory in perfect condition. In order to maintain this condition and to ensure a safe operation, it is absolutely necessary for the user to follow the safety instructions and warning notes written in this user manual.

1. In order to guarantee the product's life, please don't put it in the damp places or even the environment over 60degrees.
2. Always mount this unit in safe and stable matter.

The qualified professionals are allowed to carry out the lamp installation, operation and maintenance, but they must guarantee to operate in strict accordance with the instructions referred to.

#### ▲ Important:

**Damages caused by the disregard of this user manual are not subject to warranty. The dealer will not accept liability for any resulting defects or problems.**

If the device has been exposed to temperature changes due to environmental changes, do not switch it on immediately. The arising condensation could damage the device. Leave the device switched off until it has reached room temperatures.

This device falls under protection-class I. Therefore it is essential that the device be earthed.

The electric connection must carry out by qualified person.

Make sure the power cord is never crimped or damaged by sharp edges. If this would be the case, replacement of the cable must be done by an authorized dealer.

Always disconnect from the mains, when the device is not in use or before cleaning it. Only handle the power cord by the plug. Never pull out the plug by tugging the power cord. During initial start-up some smoke or smell may arise. This is a normal process and does not necessarily mean that the device is defective, it should decrease gradually.

Please don't project the beam onto combustible substances.

If the external flexible cable or cord of this luminaire is damaged, it shall be exclusively replaced by the manufacturer or his service agent or a similar qualified person in order to avoid a hazard.



**CAUTION!**

Never touch the device during operation!  
The housing may heat up!



**CAUTION!**

Never look directly into the light source,  
As sensitive persons may suffer an epileptic shock.

**Please be aware that damages caused by manual modifications to be the device are not subject to warranty. Keep away from children and non-professionals.**

## **CLEANING AND MAINTENANCE**

1. To reduce the risk of electrical shock or fire, do not expose this unit to rain or moisture.
2. Do not spill water or other liquids into or on to your unit.
3. During long periods of non-use, disconnect the unit's main power.
4. It should be installed in a well-ventilated place, at a distance of 50 centimeters or more with the walls. At the same time, please check if the fan and ventilation holes are unobstructed.

The following points have to be considered during the inspection

- 1) All screws for installing the devices or parts of the device have to be tightly connected and must not be corroded.
- 2) There must not be any deformations on the housing. Fixations and installations spots(ceiling, suspension, trussing).
- 3) Mechanically moved parts must not show any traces of wearing and must not rotate with unbalances.
- 4) The electric power supply cables must not show any damage, material fatigue or sediments. Further instructions depending on the installation spot and usage have to be adhered by a skilled installer and any safety problems have to be removed.



**CAUTION!**

Disconnect from mains before starting maintenance operation!

In order to make the lights in good condition and extend the life time, we suggest a regular cleaning to the lights.

- 1) Clean the inside and outside lens each week to avoid the weakness of the lights due to accumulation of dust.
- 2) Clean the fan each week.
- 3) A detailed electric check by approved electrical engineer each three month, make sure that the circuit contacts are in good condition, prevent the poor contact of circuit from overheating.

We recommend a frequent cleaning of the device.

Please use a moist, lint-free cloth. Never use alcohol or solvents !

# TECHNICAL PARAMETERS

## LIGHT SOURCE

### Strobe Panel LEDs

LED Type: 784pcs 1.5W 5050 RGB 3in1 LEDs

LED Segments: 14

### Strobe Tube LEDs

LED Type: 392pcs 2W Cool-White LEDs

LED Segments: 28

Color Temperature: About 6000K (day light)

Beam Angle: Combined light 98° x 57°, strobe light 95° x 50°

Luminous flux: Up to 71,620 lumens

## MOVEMENT

Tilt: 180° electric tilt

Dim: 16-bit high-precision dimming enables ultra-smooth gradations

Strobe: Electronic strobe, with a speed of 0-30 Hz.

Other: Adjustable PWM frequency (up to 25 kHz) ensures flicker-free shooting

## CONTROL

Control Modes:8/11/13/24/30/47/74/97CH

Protocol: DMX-512, RDM,ARTNET, SACN, Type-C interface upgrade

## OPERATING CONDITIONS

Main voltage: 100-240V AC / 50-60Hz

Power: 1400W

## MOUNTING OPTIONS

Standing: Rubber feet

Hanging: Omega-braket

Safety wire attachment: foldout eyelets

## SHIPPING

Single fixture: cardboard(inner and outer cartons)

Tourpack: 4-way Flight case

## BODY

IP rating: IP65 (Dustproof and splash-proof, suitable for all-weather outdoor use)

Standard colors: Black

Signal connection: Seetronic IP65 XLR 5-Pin or 3-Pin In/Out

Power Input: Seetronic powerCON TRUE 1 In/Out

Size:406\*334\*147 (L\*W\*H)

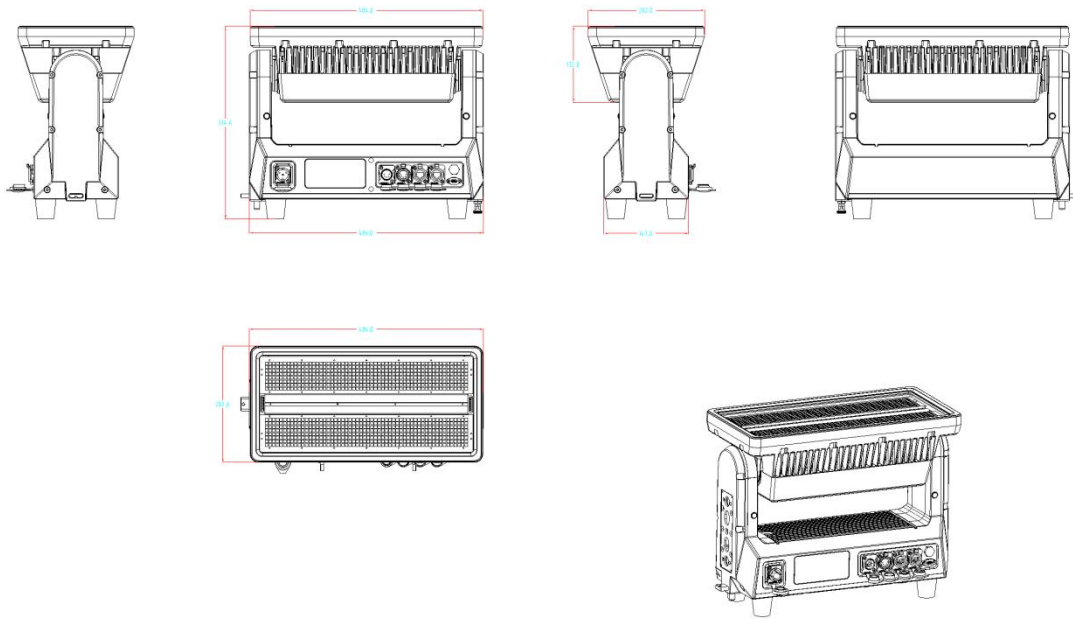
N. W: 10.8kg

## FEATURES

Strobe and wash 2in1, 180° electric tilt, versatile lighting effects

High-brightness output, pixel-level precision control, suitable for large-scale stages and outdoor performances

## SIZE



## PHOTOMETRICS DIAGRAM

Angle	98°						
Color Temperature	7700K						
Full brightness test	Spot Diameter (cm)	5.7	11.4	17.1	22.7	34.1	
	Distance	2M	4M	6M	8M	10M	3M
Lux	R	1991	498	221	124	80	885
	G	1980	495	220	124	79	880
	B	1091	273	121	68	44	485
	W	9304	2326	1034	581	372	4135
	RGBW	8008	2002	890	500	320	3559

# MENU

LEVEL 1	LEVEL 2	LEVEL 3	LEVEL 4	LEVEL 5	LEVEL 6	
<b>DMX Setup</b>	<b>DMX Adress</b>	1-512				
	<b>Channel Mode</b>	8CH				
		11CH				
		13CH				
		24CH				
		30CH				
		47CH				
		74CH				
		97CH				
	<b>Run mode</b>	DMX				
		Auto				
		Scene				
	<b>Network</b>	<b>Control Mode</b>	DMX			
			Artnet			
sACN						
<b>IP mode</b>		Dynamic				
		Static				
<b>Artnet Universe</b>		0-255				
<b>sACN Universe</b>		1-255				

	<b>IP Address</b>	xxx.xxx.xxx.xxx			
	<b>Sub maxk</b>	xxx.xxx.xxx.xxx			
<b>Personalit y</b>	<b>Tilt Inverse</b>	No			
		Yes			
	<b>Pan/Tilt Feedback</b>	Off			
		On			
	<b>Dimmer Curve</b>	Linear			
		Square Law			
		Inv SQ Law			
		S-Curve			
	<b>Dimmer Frequency</b>	4000Hz			
		8000Hz			
		12000Hz			
		20000Hz			
		24000Hz			
		32000Hz			
	<b>Dimmer Speed</b>	Fast			
		Slow			
	<b>No data Mode</b>	Blackout			
		Hold			
	<b>Fan Mode</b>	Regulate			
		Theater			

		Full			
	<b>M/S Mode</b>	Slave			
		Master			
	<b>Pixel Invert</b>	Plate 1 Invert	No		
		Plate 2 Invert	Yes		
		Tube 1 Invert	No		
		Tube 2 Invert	Yes		
	<b>LED Array Swap</b>	Plate Swap	No		
		Beam Swap	Yes		
<b>Display</b>	<b>Display Rotate</b>	Normal			
		Rotate 180 °			
	<b>Screen Switch</b>	On			
		Off			
	<b>Screen Lock</b>	On			
		Off			
	<b>Language</b>	English			
		Chinese/中文			
<b>Motor Reset</b>	<b>All</b>	No			
		Yes			
<b>Manual control</b>	<b>Tilt</b>	0-255			
	<b>...</b>	0-255			
<b>Scene</b>	<b>Scene 1</b>	Scene state			

<b>Editing</b>		Hold time			
		Cyan			
		...			
	<b>Scene 2</b>				
	<b>Scene 3</b>				
<b>DMX Live</b>	<b>Tilt</b>	0-255			
	...	0-255			
<b>Service</b>	<b>Password</b>	Calibration	Motor	Tilt	-128 -> 127
		Factory Default	No		
		Clear Power on Time	Yes		
			No		
		Clear Lamp Hours	Yes		
			No		
<b>Informatio</b>	<b>Power On Time</b>	xxxxxH			
	<b>LED Hours</b>	xxxxxH			
	<b>SW Version</b>	1U: Vx.x.x			
	<b>RDM UID</b>	0xXXXX-XXXXXXXX			

## CHANNEL LIST

### 8CH

8CH	FUNCTION	VALUE	DESCRIPTION
1	Tilt	000–255	0–100%
2	Fine tilt	000–255	0–100%
3	Dimmer	000–255	0–100%
4	Strobe	000–009	Open
		010–079	Strobe,slow to fast
		080–149	Pulse,slow to fast
		150–219	Random Strobe,slow to fast
		220–255	Open
5	Red	000–255	0–100%
6	Green	000–255	0–100%
7	Blue	000–255	0–100%
8	Beam	000–255	0–100%

### 11CH

11CH	FUNCTION	VALUE	DESCRIPTION
1	Tilt	000–255	0–100%
2	Fine tilt	000–255	0–100%
3	Dimmer	000–255	0–100%
4	Plate flash	000–009	Classic shutter mode:disables duration

	<b>duration</b>		control
		010–250	Slow to fast
		251–255	100%On,no flash/strobe
<b>5</b>	<b>Plate flash rate</b>	000–009	100%
		010–250	Slow to fast
		251–255	100%
<b>6</b>	<b>Beam flash duration</b>	000–009	Classic shutter mode:disables duration control
		010–250	Slow to fast
		251–255	100%On,no flash/strobe
<b>7</b>	<b>Beam flash rate</b>	000–009	100%
		010–250	Slow to fast
		251–255	100%
<b>8</b>	<b>Plates red</b>	000–255	0–100%
<b>9</b>	<b>Plates green</b>	000–255	0–100%
<b>10</b>	<b>Plates blue</b>	000–255	0–100%
<b>11</b>	<b>Beam</b>	000–255	0–100%

## 13CH

13CH	FUNCTION	VALUE	DESCRIPTION
1	Tilt	000-255	0-100%
2	Fine tilt	000-255	0-100%
3	Plate dimmer	000-255	0-100%
4	Beam dimmer	000-255	0-100%
5	Plate flash duration	000-009	Classic shutter mode:disables duration control
		010-250	Slow to fast
		251-255	100%On,no flash/strobe
6	Plate flash rate	000-009	100%
		010-250	Slow to fast
		251-255	100%
7	Beam flash duration	000-009	Classic shutter mode:disables duration control
		010-250	Slow to fast
		251-255	100%On,no flash/strobe
8	Beam flash rate	000-009	100%
		010-250	Slow to fast
		251-255	100%
9	Plates red	000-255	0-100%
10	Plates green	000-255	0-100%

<b>11</b>	<b>Plates blue</b>	000–255	0–100%
<b>12</b>	<b>Beam FX</b>	000–005	No function
		006–042	Ramp up
		043–085	Ramp down
		086–128	Ramp up–down
		129–171	Random
		172–214	Lightning
		215–255	Spikes
<b>11</b>	<b>Plates blue</b>	000–255	0–100%
<b>12</b>	<b>Beam FX</b>	000–005	No function
		006–042	Ramp up
		043–085	Ramp down
		086–128	Ramp up–down
		129–171	Random
		172–214	Lightning
		215–255	Spikes
<b>13</b>	<b>Control*</b>	000–005	No function
		006–010	Off (dimmer mode)
		011–015	Dimmer 1
		016–020	Dimmer 2
		021–025	Dimmer 3
		026–030	600 Hz

		031-035	1200 Hz
		036-040	2000 Hz
		041-045	4000 Hz
		046-050	6000 Hz
		051-055	25 KHz
		056-060	Fan mode auto
		060-065	Fan mode on
		066-070	Tilt reset
		071-075	Plate 1 invert off
		076-080	Plate 1 invert on
		081-085	Plate 2 invert off
		086-090	Plate 2 invert on
		091-095	Beam 1 invert off
		096-100	Beam 1 invert on
		101-105	Beam 2 invert off
		106-110	Beam 2 invert on
		111-115	Plate swap on
		116-120	Plate swap off
		121-125	Beam swap on
		126-130	Beam swap off
		131-255	No function

## 24CH

24CH	FUNCTION	VALUE	DESCRIPTION
1	Tilt	000-255	0-100%
2	Fine tilt	000-255	0-100%
3	Master dimmer	000-255	0-100%
4	Plate dimmer	000-255	0-100%
5	Beam dimmer	000-255	0-100%
6	Plate flash duration	000-009	Classic shutter mode:disables duration control
		010-250	Slow to fast
		251-255	100%On,no flash/strobe
7	Plate flash rate	000-009	100%
		010-250	Slow to fast
		251-255	100%
8	Beam flash duration	000-009	Classic shutter mode:disables duration control
		010-250	Slow to fast
		251-255	100%On,no flash/strobe
9	Beam flash rate	000-009	100%
		010-250	Slow to fast
		251-255	100%
10	Plates red	000-255	0-100%

<b>11</b>	<b>Plates green</b>	000–255	0–100%
<b>12</b>	<b>Plates blue</b>	000–255	0–100%
<b>13</b>	<b>Beam FX</b>	000–005	No function
		006–042	Ramp up
		043–085	Ramp down
		086–128	Ramp up–down
		129–171	Random
		172–214	Lightning
		215–255	Spikes
<b>14</b>	<b>Plates foreground</b>	000–000	No function
		001–002	White(2700K)
		003–004	White(3200K)
		005–006	White(4200K)
		007–008	White(5600K)
		009–010	White(8000K)
		011	Blue R:0 G:0 B:255 W:0
		012–048	Green+/Blue R:0 G:+ B:255 W:0
		049	Cyan R:0 G:255 B:255 W:0
		050–086	Green/Blue– R:0 G:255

			B:-	W:0	
		087	Green B:0	R:0 W:0	G:255
		088-124	Red+/Green B:0	R:+ W:0	G:255
		125	Yellow B:0	R:255 W:0	G:255
		126-162	Red/Green- B:0	R:255 W:0	G:-
		163	Red B:0	R:255 W:0	G:0
		164-200	Red/Blue+ B:+	R:255 W:0	G:0
		201	Magenta B:255	R:255 W:0	G:0
		202-238	Red-/Blue B:255	R:- W:0	G:0
		239	Blue B:255	R:0 W:0	G:0
		240-247	Color index,fast to slow		
		248-255	Color snap,fast to slow		
<b>15</b>	<b>Plates</b>	000-255	0-100%		

	<b>foreground</b>		
	<b>dimmer</b>		
<b>16</b>	<b>Plates background</b>	000-000	No function
		001-002	White(2700K)
		003-004	White(3200K)
		005-006	White(4200K)
		007-008	White(5600K)
		009-010	White(8000K)
		011	Blue R:0 G:0 B:255 W:0
		012-048	Green+/Blue R:0 G:+ B:255 W:0
		049	Cyan R:0 G:255 B:255 W:0
		050-086	Green/Blue- R:0 G:255 B:- W:0
		087	Green R:0 G:255 B:0 W:0
		088-124	Red+/Green R:+ G:255 B:0 W:0
		125	Yellow R:255 G:255 B:0 W:0

		126–162	Red/Green– B:0	R:255 W:0	G:–
		163	Red G:0	R:255 B:0	W:0
		164–200	Red/Blue+ B:+	R:255 W:0	G:0
		201	Magenta G:0	R:255 B:255	W:0
		202–238	Red–/Blue G:0	R:– B:255	W:0
		239	Blue G:0	R:0 B:255	W:0
		240–247	Color index,fast to slow		
		248–255	Color snap,fast to slow		
<b>17</b>	<b>Plates background dimmer</b>	000–255	0–100%		
<b>18</b>	<b>Plates 1&amp;2</b>	000–002	Plate FX All select(all on) see Plate Patterns		
	<b>FX select (see Pixel Mapping)</b>	003–255			
<b>19</b>	<b>Plates 1&amp;2</b>	000–005	No function		

	<b>FX movement</b>	006–124	Left to right,fast to slow
	<b>speed &amp;</b>	125–130	No function
	<b>direction</b>	131–249	Right to left,slow to fast
	<b>(see Pixel Mapping)</b>	250–255	No function
<b>20</b>	<b>Plates 1&amp;2</b>	000–002	Snap from cell to cell
	<b>FX crossfade (see Pixel Mapping)</b>	003–255	Fade duration:short to long
<b>21</b>	<b>Beams 1&amp;2</b>	000–002	Beam FX All select(all on) see Beam Patterns
	<b>FX select (see Pixel Mapping)</b>	003–255	
<b>22</b>	<b>Beams 1&amp;2</b>	000–005	No function
	<b>FX movement</b>	006–124	Left to right,fast to slow
	<b>speed &amp;</b>	125–130	No function
	<b>direction</b>	131–249	Right to left,slow to fast
	<b>(see Pixel Mapping)</b>	250–255	No function
<b>23</b>	<b>Beams 1&amp;2</b>	000–002	Snap from cell to cell
	<b>FX crossfade (see Pixel Mapping)</b>	003–255	Fade duration:short to long

	<b>Mapping)</b>		
<b>24</b>	<b>Control*</b>	000–005	No function
		006–010	Off (dimmer mode)
		011–015	Dimmer 1
		016–020	Dimmer 2
		021–025	Dimmer 3
		026–030	600 Hz
		031–035	1200 Hz
		036–040	2000 Hz
		041–045	4000 Hz
		046–050	6000 Hz
		051–055	25 KHz
		056–060	Fan mode auto
		060–065	Fan mode on
		066–070	Tilt reset
		071–075	Plate 1 invert off
		076–080	Plate 1 invert on
		081–085	Plate 2 invert off
		086–090	Plate 2 invert on
		091–095	Beam 1 invert off
		096–100	Beam 1 invert on
101–105	Beam 2 invert off		

		106–110	Beam 2 invert on
		111–115	Plate swap on
		116–120	Plate swap off
		121–125	Beam swap on
		126–130	Beam swap off
		131–255	No function

### 30CH

30CH	FUNCTION	VALUE	DESCRIPTION
1	Tilt	000–255	0–100%
2	Fine tilt	000–255	0–100%
3	Master dimmer	000–255	0–100%
4	Plate dimmer	000–255	0–100%
5	Beam dimmer	000–255	0–100%
6	Plate flash duration	000–009	Classic shutter mode:disables duration control
		010–250	Slow to fast
		251–255	100%On,no flash/strobe
7	Plate flash rate	000–009	100%
		010–250	Slow to fast

		251-255	100%
<b>8</b>	<b>Beam flash duration</b>	000-009	Classic shutter mode:disables duration control
		010-250	Slow to fast
		251-255	100%On,no flash/strobe
<b>9</b>	<b>Beam flash rate</b>	000-009	100%
		010-250	Slow to fast
		251-255	100%
<b>10</b>	<b>Plates red</b>	000-255	0-100%
<b>11</b>	<b>Plates green</b>	000-255	0-100%
<b>12</b>	<b>Plates blue</b>	000-255	0-100%
<b>13</b>	<b>Beam FX</b>	000-005	No function
		006-042	Ramp up
		043-085	Ramp down
		086-128	Ramp up-down
		129-171	Random
		172-214	Lightning
		215-255	Spikes
<b>14</b>	<b>Plates foreground</b>	000-000	No function
		001-002	White(2700K)
		003-004	White(3200K)
		005-006	White(4200K)

		007-008	White(5600K)	
		009-010	White(8000K)	
		011	Blue B:255	R:0 W:0 G:0
		012-048	Green+/Blue B:255	R:0 W:0 G:+
		049	Cyan B:255	R:0 W:0 G:255
		050-086	Green/Blue- B:-	R:0 W:0 G:255
		087	Green B:0	R:0 W:0 G:255
		088-124	Red+/Green B:0	R:+ W:0 G:255
		125	Yellow B:0	R:255 W:0 G:255
		126-162	Red/Green- B:0	R:255 W:0 G:-
		163	Red B:0	R:255 W:0 G:0
		164-200	Red/Blue+ B:+	R:255 W:0 G:0

		201	Magenta R:255 G:0 B:255 W:0
		202-238	Red-/Blue R:- G:0 B:255 W:0
		239	Blue R:0 G:0 B:255 W:0
		240-247	Color index,fast to slow
		248-255	Color snap,fast to slow
<b>15</b>	<b>Plates foreground dimmer</b>	000-255	0-100%
<b>16</b>	<b>Plates background</b>	000-000	No function
		001-002	White(2700K)
		003-004	White(3200K)
		005-006	White(4200K)
		007-008	White(5600K)
		009-010	White(8000K)
		011	Blue R:0 G:0 B:255 W:0
		012-048	Green+/Blue R:0 G:+ B:255 W:0
		049	Cyan R:0 G:255

			B:255	W:0	
		050-086	Green/Blue-	R:0	G:255
			B:-	W:0	
		087	Green	R:0	G:255
			B:0	W:0	
		088-124	Red+/Green	R:+	G:255
			B:0	W:0	
		125	Yellow	R:255	G:255
			B:0	W:0	
		126-162	Red/Green-	R:255	G:-
			B:0	W:0	
		163	Red	R:255	G:0
			B:0	W:0	
		164-200	Red/Blue+	R:255	G:0
			B:+	W:0	
		201	Magenta	R:255	G:0
			B:255	W:0	
		202-238	Red-/Blue	R:-	G:0
			B:255	W:0	
		239	Blue	R:0	G:0
			B:255	W:0	
		240-247	Color index,fast to slow		

		248–255	Color snap,fast to slow
<b>17</b>	<b>Plates background dimmer</b>	000–255	0–100%
<b>18</b>	<b>Plate 1(pixels 1–7)</b>	000–002	Plate FX All select(all on) see Plate Patterns
	<b>FX select (see Pixel Mapping)</b>	003–255	
<b>19</b>	<b>Plate 1(pixels 1–7)</b>	000–005	No function
		006–124	Left to right,fast to slow
	<b>FX movement</b>	125–130	No function
	<b>speed &amp; direction</b>	131–249	Right to left,slow to fast
	<b>(see Pixel Mapping)</b>	250–255	No function
<b>20</b>	<b>Plate 1(pixels 1–7)</b>	000–002	Snap from cell to cell
	<b>FX crossfade (see Pixel Mapping)</b>	003–255	Fade duration:short to long
<b>21</b>	<b>Plate 2(pixels</b>	000–002	Plate FX All select(all on)

	<b>8-14)</b>		see Plate Patterns
	<b>FX select (see Pixel Mapping)</b>	003-255	
<b>22</b>	<b>Plate 2(pixels 8-14)</b>	000-005	No function
		006-124	Left to right,fast to slow
	<b>FX movement</b>	125-130	No function
	<b>speed &amp; direction (see Pixel Mapping)</b>	131-249	Right to left,slow to fast
		250-255	No function
<b>23</b>	<b>Plate 2(pixels 8-14)</b>	000-002	Snap from cell to cell
	<b>FX crossfade (see Pixel Mapping)</b>	003-255	Fade duration:short to long
<b>24</b>	<b>Beam 1(pixels 1-14)</b>	000-002	Beam FX All select(all on) see Beam Patterns
	<b>FX select (see Pixel Mapping)</b>	003-255	
<b>25</b>	<b>Beam 1(pixels</b>	000-005	No function

	<b>1-14)</b>	006-124	Left to right,fast to slow
	<b>FX movement</b>	125-130	No function
	<b>speed &amp;</b>	131-249	Right to left,slow to fast
	<b>direction</b> <b>(see Pixel</b> <b>Mapping)</b>	250-255	No function
<b>26</b>	<b>Beam 1(pixels</b> <b>1-14)</b>	000-002	Snap from cell to cell Fade duration:short to long
	<b>FX crossfade</b> <b>(see Pixel</b> <b>Mapping)</b>	003-255	
<b>27</b>	<b>Beam 2(pixels</b>	000-002	Beam FX All select(all on) see Beam Patterns
	<b>15-28) FX</b> <b>select</b> <b>(see Pixel</b> <b>Mapping)</b>	003-255	
<b>28</b>	<b>Beam 2(pixels</b>	000-005	No function
	<b>15-28)FX</b>	006-124	Left to right,fast to slow
	<b>movement</b> <b>speed &amp;</b> <b>direction</b> <b>(see Pixel</b>	125-130	No function

	<b>Mapping)</b>		
<b>29</b>	<b>Beam 2(pixels 15–28) FX crossfade (see Pixel Mapping)</b>	000–002	Snap from cell to cell  Fade duration:short to long
		003–255	
<b>30</b>	<b>Control*</b>	000–005	No function
		006–010	Off (dimmer mode)
		011–015	Dimmer 1
		016–020	Dimmer 2
		021–025	Dimmer 3
		026–030	600 Hz
		031–035	1200 Hz
		036–040	2000 Hz
		041–045	4000 Hz
		046–050	6000 Hz
		051–055	25 KHz
		056–060	Fan mode auto
		060–065	Fan mode on
		066–070	Tilt reset
		071–075	Plate 1 invert off
		076–080	Plate 1 invert on

		081–085	Plate 2 invert off
		086–090	Plate 2 invert on
		091–095	Beam 1 invert off
		096–100	Beam 1 invert on
		101–105	Beam 2 invert off
		106–110	Beam 2 invert on
		111–115	Plate swap on
		116–120	Plate swap off
		121–125	Beam swap on
		126–130	Beam swap off
		131–255	No function

## 47CH

47CH	FUNCTION	VALUE	DESCRIPTION
1	Tilt	000–255	0–100%
2	Fine tilt	000–255	0–100%
3	Master dimmer	000–255	0–100%
4	Plate dimmer	000–255	0–100%
5	Beam dimmer	000–255	0–100%
6	Plate flash	000–009	Classic shutter mode:disables duration

	<b>duration</b>		control
		010–250	Slow to fast
		251–255	100%On,no flash/strobe
<b>7</b>	<b>Plate flash rate</b>	000–009	100%
		010–250	Slow to fast
		251–255	100%
<b>8</b>	<b>Beam flash duration</b>	000–009	Classic shutter mode:disables duration control
		010–250	Slow to fast
		251–255	100%On,no flash/strobe
<b>9</b>	<b>Beam flash rate</b>	000–009	100%
		010–250	Slow to fast
		251–255	100%
<b>10</b>	<b>Plate Invert</b>	000–005	Normal alignment
		006–124	Invert Plate 1 and Plate 2
		125–130	Invert Plate 1,Plate 2 normal
		131–249	Invert Plate 2,Plate 1 normal
		250–255	No function
<b>11</b>	<b>Beam Invert</b>	000–005	Normal alignment
		006–124	Invert Beam 1 and Beam 2
		125–130	Invert Beam 1,Beam 2 normal
		131–249	Invert Beam 2,Beam 1 normal

		250–255	No function
<b>12</b>	<b>Plate pixel 1+8 red</b>	0–255	0–100%
<b>13</b>	<b>Plate pixel 1+8 green</b>	0–255	0–100%
<b>14</b>	<b>Plate pixel 1+8 blue</b>	0–255	0–100%
<b>15</b>	<b>Plate pixel 2+9 red</b>	0–255	0–100%
<b>16</b>	<b>Plate pixel 2+9 green</b>	0–255	0–100%
<b>17</b>	<b>Plate pixel 2+9 blue</b>	0–255	0–100%
<b>18</b>	<b>Plate pixel 3+10 red</b>	0–255	0–100%
<b>19</b>	<b>Plate pixel 3+10 green</b>	0–255	0–100%
<b>20</b>	<b>Plate pixel 3+10 blue</b>	0–255	0–100%
<b>21</b>	<b>Plate pixel 4+11 red</b>	0–255	0–100%
<b>22</b>	<b>Plate pixel</b>	0–255	0–100%

	<b>4+11 green</b>		
<b>23</b>	<b>Plate pixel 4+11 blue</b>	0–255	0–100%
<b>24</b>	<b>Plate pixel 5+12 red</b>	0–255	0–100%
<b>25</b>	<b>Plate pixel 5+12 green</b>	0–255	0–100%
<b>26</b>	<b>Plate pixel 5+12 blue</b>	0–255	0–100%
<b>27</b>	<b>Plate pixel 6+13 red</b>	0–255	0–100%
<b>28</b>	<b>Plate pixel 6+13 green</b>	0–255	0–100%
<b>29</b>	<b>Plate pixel 6+13 blue</b>	0–255	0–100%
<b>30</b>	<b>Plate pixel 7+14 red</b>	0–255	0–100%
<b>31</b>	<b>Plate pixel 7+14 green</b>	0–255	0–100%
<b>32</b>	<b>Plate pixel 7+14 blue</b>	0–255	0–100%
<b>33</b>	<b>Beam pixel</b>	0–255	0–100%

	<b>1+15</b>		
<b>34</b>	<b>Beam pixel 2+16</b>	0–255	0–100%
<b>35</b>	<b>Beam pixel 3+17</b>	0–255	0–100%
<b>36</b>	<b>Beam pixel 4+18</b>	0–255	0–100%
<b>37</b>	<b>Beam pixel 5+19</b>	0–255	0–100%
<b>38</b>	<b>Beam pixel 6+20</b>	0–255	0–100%
<b>39</b>	<b>Beam pixel 7+21</b>	0–255	0–100%
<b>40</b>	<b>Beam pixel 8+22</b>	0–255	0–100%
<b>41</b>	<b>Beam pixel 9+23</b>	0–255	0–100%
<b>42</b>	<b>Beam pixel 10+24</b>	0–255	0–100%
<b>43</b>	<b>Beam pixel 11+25</b>	0–255	0–100%
<b>44</b>	<b>Beam pixel</b>	0–255	0–100%

	<b>12+26</b>		
<b>45</b>	<b>Beam pixel</b> <b>13+27</b>	0–255	0–100%
<b>46</b>	<b>Beam pixel</b> <b>14+28</b>	0–255	0–100%
<b>47</b>	<b>Control*</b>	000–005	No function
		006–010	Off (dimmer mode)
		011–015	Dimmer 1
		016–020	Dimmer 2
		021–025	Dimmer 3
		026–030	600 Hz
		031–035	1200 Hz
		036–040	2000 Hz
		041–045	4000 Hz
		046–050	6000 Hz
		051–055	25 KHz
		056–060	Fan mode auto
		060–065	Fan mode on
		066–070	Tilt reset
		071–075	Plate 1 invert off
076–080	Plate 1 invert on		
081–085	Plate 2 invert off		

		086–090	Plate 2 invert on
		091–095	Beam 1 invert off
		096–100	Beam 1 invert on
		101–105	Beam 2 invert off
		106–110	Beam 2 invert on
		111–115	Plate swap on
		116–120	Plate swap off
		121–125	Beam swap on
		126–130	Beam swap off
		131–255	No function

## 74CH

74CH	FUNCTION	VALUE	DESCRIPTION
<b>1</b>	<b>Tilt</b>	000–255	0–100%
<b>2</b>	<b>Fine tilt</b>	000–255	0–100%
<b>3</b>	<b>Dimmer</b>	000–255	0–100%
<b>4</b>	<b>Strobe</b>	000–009	Open
		010–079	Strobe,slow to fast
		080–149	Pulse,slow to fast
		150–219	Random Strobe,slow to fast
		220–255	Open
<b>5</b>	<b>Plate pixel 1</b>	000–255	0–100%

	<b>red</b>		
<b>6</b>	<b>Plate pixel 1 green</b>	000–255	0–100%
<b>7</b>	<b>Plate pixel 1 blue</b>	000–255	0–100%
<b>8</b>	<b>Plate pixel 2 red</b>	000–255	0–100%
<b>9</b>	<b>Plate pixel 2 green</b>	000–255	0–100%
<b>10</b>	<b>Plate pixel 2 blue</b>	000–255	0–100%
<b>11</b>	<b>Plate pixel 3 red</b>	000–255	0–100%
<b>12</b>	<b>Plate pixel 3 green</b>	000–255	0–100%
<b>13</b>	<b>Plate pixel 3 blue</b>	000–255	0–100%
<b>14</b>	<b>Plate pixel 4 red</b>	000–255	0–100%
<b>15</b>	<b>Plate pixel 4 green</b>	000–255	0–100%
<b>16</b>	<b>Plate pixel 4</b>	000–255	0–100%

	<b>blue</b>		
<b>17</b>	<b>Plate pixel 5 red</b>	000–255	0–100%
<b>18</b>	<b>Plate pixel 5 green</b>	000–255	0–100%
<b>19</b>	<b>Plate pixel 5 blue</b>	000–255	0–100%
<b>20</b>	<b>Plate pixel 6 red</b>	000–255	0–100%
<b>21</b>	<b>Plate pixel 6 green</b>	000–255	0–100%
<b>22</b>	<b>Plate pixel 6 blue</b>	000–255	0–100%
<b>23</b>	<b>Plate pixel 7 red</b>	000–255	0–100%
<b>24</b>	<b>Plate pixel 7 green</b>	000–255	0–100%
<b>25</b>	<b>Plate pixel 7 blue</b>	000–255	0–100%
<b>26</b>	<b>Plate pixel 8 red</b>	000–255	0–100%
<b>27</b>	<b>Plate pixel 8</b>	000–255	0–100%

	<b>green</b>		
<b>28</b>	<b>Plate pixel 8 blue</b>	000–255	0–100%
<b>29</b>	<b>Plate pixel 9 red</b>	000–255	0–100%
<b>30</b>	<b>Plate pixel 9 green</b>	000–255	0–100%
<b>31</b>	<b>Plate pixel 9 blue</b>	000–255	0–100%
<b>32</b>	<b>Plate pixel 10 red</b>	000–255	0–100%
<b>33</b>	<b>Plate pixel 10 green</b>	000–255	0–100%
<b>34</b>	<b>Plate pixel 10 blue</b>	000–255	0–100%
<b>35</b>	<b>Plate pixel 11 red</b>	000–255	0–100%
<b>36</b>	<b>Plate pixel 11 green</b>	000–255	0–100%
<b>37</b>	<b>Plate pixel 11 blue</b>	000–255	0–100%
<b>38</b>	<b>Plate pixel 12</b>	000–255	0–100%

	<b>red</b>		
<b>39</b>	<b>Plate pixel 12 green</b>	000–255	0–100%
<b>40</b>	<b>Plate pixel 12 blue</b>	000–255	0–100%
<b>41</b>	<b>Plate pixel 13red</b>	000–255	0–100%
<b>42</b>	<b>Plate pixel 13 green</b>	000–255	0–100%
<b>43</b>	<b>Plate pixel 13 blue</b>	000–255	0–100%
<b>44</b>	<b>Plate pixel 14 red</b>	000–255	0–100%
<b>45</b>	<b>Plate pixel 14 green</b>	000–255	0–100%
<b>46</b>	<b>Plate pixel 14 blue</b>	000–255	0–100%
<b>47</b>	<b>Beam pixel 1</b>	000–255	0–100%
<b>48</b>	<b>Beam pixel 2</b>	000–255	0–100%
<b>49</b>	<b>Beam pixel 3</b>	000–255	0–100%

<b>50</b>	<b>Beam pixel 4</b>	000–255	0–100%
<b>51</b>	<b>Beam pixel 5</b>	000–255	0–100%
<b>52</b>	<b>Beam pixel 6</b>	000–255	0–100%
<b>53</b>	<b>Beam pixel 7</b>	000–255	0–100%
<b>54</b>	<b>Beam pixel 8</b>	000–255	0–100%
<b>55</b>	<b>Beam pixel 9</b>	000–255	0–100%
<b>56</b>	<b>Beam pixel 10</b>	000–255	0–100%
<b>57</b>	<b>Beam pixel 11</b>	000–255	0–100%
<b>58</b>	<b>Beam pixel 12</b>	000–255	0–100%
<b>59</b>	<b>Beam pixel 13</b>	000–255	0–100%
<b>60</b>	<b>Beam pixel 14</b>	000–255	0–100%
<b>61</b>	<b>Beam pixel</b>	000–255	0–100%

	<b>15</b>		
<b>62</b>	<b>Beam pixel 16</b>	000–255	0–100%
<b>63</b>	<b>Beam pixel 17</b>	000–255	0–100%
<b>64</b>	<b>Beam pixel 18</b>	000–255	0–100%
<b>65</b>	<b>Beam pixel 19</b>	000–255	0–100%
<b>66</b>	<b>Beam pixel 20</b>	000–255	0–100%
<b>67</b>	<b>Beam pixel 21</b>	000–255	0–100%
<b>68</b>	<b>Beam pixel 22</b>	000–255	0–100%
<b>69</b>	<b>Beam pixel 23</b>	000–255	0–100%
<b>70</b>	<b>Beam pixel 24</b>	000–255	0–100%
<b>71</b>	<b>Beam pixel 25</b>	000–255	0–100%
<b>72</b>	<b>Beam pixel</b>	000–255	0–100%

	<b>26</b>		
<b>73</b>	<b>Beam pixel</b> <b>27</b>	000-255	0-100%
<b>74</b>	<b>Beam pixel</b> <b>28</b>	000-255	0-100%

## 97CH

97CH	FUNCTION	VALUE	DESCRIPTION
<b>1</b>	<b>Tilt</b>	000-255	0-100%
<b>2</b>	<b>Fine tilt</b>	000-255	0-100%
<b>3</b>	<b>Master dimmer</b>	000-255	0-100%
<b>4</b>	<b>Plate dimmer</b>	000-255	0-100%
<b>5</b>	<b>Beam dimmer</b>	000-255	0-100%
<b>6</b>	<b>Plate flash duration</b>	000-009	Classic shutter mode:disables duration control
		010-250	Slow to fast
		251-255	100%On,no flash/strobe
<b>7</b>	<b>Plate flash rate</b>	000-009	100%
		010-250	Slow to fast
		251-255	100%

8	<b>Beam flash duration</b>	000-009	Classic shutter mode:disables duration control
		010-250	Slow to fast
		251-255	100%On,no flash/strobe
9	<b>Beam flash rate</b>	000-009	100%
		010-250	Slow to fast
		251-255	100%
10	<b>Plate pixel 1 red</b>	000-255	0-100%
11	<b>Plate pixel 1 green</b>	000-255	0-100%
12	<b>Plate pixel 1 blue</b>	000-255	0-100%
13	<b>Plate pixel 2 red</b>	000-255	0-100%
14	<b>Plate pixel 2 green</b>	000-255	0-100%
15	<b>Plate pixel 2 blue</b>	000-255	0-100%
16	<b>Plate pixel 3 red</b>	000-255	0-100%
17	<b>Plate pixel 3</b>	000-255	0-100%

	<b>green</b>		
<b>18</b>	<b>Plate pixel 3 blue</b>	000-255	0-100%
<b>19</b>	<b>Plate pixel 4 red</b>	000-255	0-100%
<b>20</b>	<b>Plate pixel 4 green</b>	000-255	0-100%
<b>21</b>	<b>Plate pixel 4 blue</b>	000-255	0-100%
<b>22</b>	<b>Plate pixel 5 red</b>	000-255	0-100%
<b>23</b>	<b>Plate pixel 5 green</b>	000-255	0-100%
<b>24</b>	<b>Plate pixel 5 blue</b>	000-255	0-100%
<b>25</b>	<b>Plate pixel 6 red</b>	000-255	0-100%
<b>26</b>	<b>Plate pixel 6 green</b>	000-255	0-100%
<b>27</b>	<b>Plate pixel 6 blue</b>	000-255	0-100%
<b>28</b>	<b>Plate pixel 7</b>	000-255	0-100%

	<b>red</b>		
<b>29</b>	<b>Plate pixel 7 green</b>	000-255	0-100%
<b>30</b>	<b>Plate pixel 7 blue</b>	000-255	0-100%
<b>31</b>	<b>Plate pixel 8 red</b>	000-255	0-100%
<b>32</b>	<b>Plate pixel 8 green</b>	000-255	0-100%
<b>33</b>	<b>Plate pixel 8 blue</b>	000-255	0-100%
<b>34</b>	<b>Plate pixel 9 red</b>	000-255	0-100%
<b>35</b>	<b>Plate pixel 9 green</b>	000-255	0-100%
<b>36</b>	<b>Plate pixel 9 blue</b>	000-255	0-100%
<b>37</b>	<b>Plate pixel 10 red</b>	000-255	0-100%
<b>38</b>	<b>Plate pixel 10 green</b>	000-255	0-100%
<b>39</b>	<b>Plate pixel 10</b>	000-255	0-100%

	<b>blue</b>		
<b>40</b>	<b>Plate pixel 11 red</b>	000–255	0–100%
<b>41</b>	<b>Plate pixel 11 green</b>	000–255	0–100%
<b>42</b>	<b>Plate pixel 11 blue</b>	000–255	0–100%
<b>43</b>	<b>Plate pixel 12 red</b>	000–255	0–100%
<b>44</b>	<b>Plate pixel 12 green</b>	000–255	0–100%
<b>45</b>	<b>Plate pixel 12 blue</b>	000–255	0–100%
<b>46</b>	<b>Plate pixel 13red</b>	000–255	0–100%
<b>47</b>	<b>Plate pixel 13 green</b>	000–255	0–100%
<b>48</b>	<b>Plate pixel 13 blue</b>	000–255	0–100%
<b>49</b>	<b>Plate pixel 14 red</b>	000–255	0–100%
<b>50</b>	<b>Plate pixel 14</b>	000–255	0–100%

	<b>green</b>		
<b>51</b>	<b>Plate pixel 14 blue</b>	000–255	0–100%
<b>52</b>	<b>Beam pixel 1</b>	000–255	0–100%
<b>53</b>	<b>Beam pixel 2</b>	000–255	0–100%
<b>54</b>	<b>Beam pixel 3</b>	000–255	0–100%
<b>55</b>	<b>Beam pixel 4</b>	000–255	0–100%
<b>56</b>	<b>Beam pixel 5</b>	000–255	0–100%
<b>57</b>	<b>Beam pixel 6</b>	000–255	0–100%
<b>58</b>	<b>Beam pixel 7</b>	000–255	0–100%
<b>59</b>	<b>Beam pixel 8</b>	000–255	0–100%
<b>60</b>	<b>Beam pixel 9</b>	000–255	0–100%
<b>61</b>	<b>Beam pixel 10</b>	000–255	0–100%
<b>62</b>	<b>Beam pixel</b>	000–255	0–100%

	<b>11</b>		
<b>63</b>	<b>Beam pixel 12</b>	000-255	0-100%
<b>64</b>	<b>Beam pixel 13</b>	000-255	0-100%
<b>65</b>	<b>Beam pixel 14</b>	000-255	0-100%
<b>66</b>	<b>Beam pixel 15</b>	000-255	0-100%
<b>67</b>	<b>Beam pixel 16</b>	000-255	0-100%
<b>68</b>	<b>Beam pixel 17</b>	000-255	0-100%
<b>69</b>	<b>Beam pixel 18</b>	000-255	0-100%
<b>70</b>	<b>Beam pixel 19</b>	000-255	0-100%
<b>71</b>	<b>Beam pixel 20</b>	000-255	0-100%
<b>72</b>	<b>Beam pixel 21</b>	000-255	0-100%
<b>73</b>	<b>Beam pixel</b>	000-255	0-100%

	<b>22</b>		
<b>74</b>	<b>Beam pixel</b> <b>23</b>	000–255	0–100%
<b>75</b>	<b>Beam pixel</b> <b>24</b>	000–255	0–100%
<b>76</b>	<b>Beam pixel</b> <b>25</b>	000–255	0–100%
<b>77</b>	<b>Beam pixel</b> <b>26</b>	000–255	0–100%
<b>78</b>	<b>Beam pixel</b> <b>27</b>	000–255	0–100%
<b>79</b>	<b>Beam pixel</b> <b>28</b>	000–255	0–100%
<b>80</b>	<b>Beam FX</b>	000–005	No function
		006–042	Ramp up
		043–085	Ramp down
		086–128	Ramp up–down
		129–171	Random
		172–214	Lightning
		215–255	Spikes
<b>81</b>	<b>Plates</b>	000–000	No function
	<b>foreground</b>	001–002	White(2700K)

		003-004	White(3200K)	
		005-006	White(4200K)	
		007-008	White(5600K)	
		009-010	White(8000K)	
		011	Blue R:0 G:0 B:255 W:0	
		012-048	Green+/Blue R:0 G:+ B:255 W:0	
		049	Cyan R:0 G:255 B:255 W:0	
		050-086	Green/Blue- R:0 G:255 B:- W:0	
		087	Green R:0 G:255 B:0 W:0	
		088-124	Red+/Green R:+ G:255 B:0 W:0	
		125	Yellow R:255 G:255 B:0 W:0	
		126-162	Red/Green- R:255 G:- B:0 W:0	
		163	Red R:255 G:0 B:0 W:0	

		164–200	Red/Blue+ B:+	R:255 W:0	G:0
		201	Magenta	R:255 W:0	G:0
		202–238	Red–/Blue	R:– W:0	G:0
		239	Blue	R:0 W:0	G:0
		240–247	Color index,fast to slow		
		248–255	Color snap,fast to slow		
<b>82</b>	<b>Plate foreground dimmer</b>	000–255	0–100%		
<b>83</b>	<b>Plate background</b>	000–000	No function		
		001–002	White(2700K)		
		003–004	White(3200K)		
		005–006	White(4200K)		
		007–008	White(5600K)		
		009–010	White(8000K)		
		011	Blue	R:0 W:0	G:0
		012–048	Green+/Blue	R:0	G:+

			B:255	W:0	
		049	Cyan	R:0	G:255
			B:255	W:0	
		050-086	Green/Blue-	R:0	G:255
			B:-	W:0	
		087	Green	R:0	G:255
			B:0	W:0	
		088-124	Red+/Green	R:+	G:255
			B:0	W:0	
		125	Yellow	R:255	G:255
			B:0	W:0	
		126-162	Red/Green-	R:255	G:-
			B:0	W:0	
		163	Red	R:255	G:0
			B:0	W:0	
		164-200	Red/Blue+	R:255	G:0
			B:+	W:0	
		201	Magenta	R:255	G:0
			B:255	W:0	
		202-238	Red-/Blue	R:-	G:0
			B:255	W:0	
		239	Blue	R:0	G:0

			B:255      W:0
		240–247	Color index,fast to slow
		248–255	Color snap,fast to slow
<b>84</b>	<b>Plate background dimmer</b>	000–255	0–100%
<b>85</b>	<b>Plate 1(pixels 1–7)</b>	000–002	Plate FX All select(all on)  see Plate Patterns
	<b>FX select (see Pixel Mapping)</b>	003–255	
<b>86</b>	<b>Plate 1(pixels 1–7)</b>	000–005	No function
		006–124	Left to right,fast to slow
	<b>FX movement</b>	125–130	No function
	<b>speed &amp; direction (see Pixel Mapping)</b>	131–249	Right to left,slow to fast
		250–255	No function
<b>87</b>	<b>Plate 1(pixels 1–7)</b>	000–002	Snap from cell to cell
	<b>FX crossfade (see Pixel</b>	003–255	Fade duration:short to long

	<b>Mapping)</b>		
<b>88</b>	<b>Plate 2(pixels 8-14)</b>	000-002	Plate FX All select(all on)  see Plate Patterns
	<b>FX select (see Pixel Mapping)</b>	003-255	
<b>89</b>	<b>Plate 2(pixels 8-14)</b>	000-005	No function
		006-124	Left to right,fast to slow
	<b>FX movement</b>	125-130	No function
	<b>speed &amp; direction (see Pixel Mapping)</b>	131-249	Right to left,slow to fast
		250-255	No function
<b>90</b>	<b>Plate 2(pixels 8-14)</b>	000-002	Snap from cell to cell
	<b>FX crossfade (see Pixel Mapping)</b>	003-255	Fade duration:short to long
<b>91</b>	<b>Beam 1(pixels 1-14)</b>	000-002	Beam FX All select(all on)  see Beam Patterns
	<b>FX select (see Pixel</b>	003-255	

	<b>Mapping)</b>		
<b>92</b>	<b>Beam 1(pixels</b>	000–005	No function
	<b>1–14)</b>	006–124	Left to right,fast to slow
	<b>FX movement</b>	125–130	No function
	<b>speed &amp;</b>	131–249	Right to left,slow to fast
	<b>direction</b> <b>(see Pixel</b> <b>Mapping)</b>	250–255	No function
<b>93</b>	<b>Beam 1(pixels</b> <b>1–14)</b>	000–002	Snap from cell to cell Fade duration:short to long
	<b>FX crossfade</b> <b>(see Pixel</b> <b>Mapping)</b>	003–255	
<b>94</b>	<b>Beam 2(pixels</b>	000–002	Beam FX All select(all on) see Beam Patterns
	<b>15–28) FX</b> <b>select</b> <b>(see Pixel</b> <b>Mapping)</b>	003–255	
<b>95</b>	<b>Beam 2(pixels</b>	000–005	No function
	<b>15–28)FX</b>	006–124	Left to right,fast to slow
	<b>movement</b>	125–130	No function
	<b>speed &amp;</b>	131–249	Right to left,slow to fast

	<b>direction</b> <b>(see Pixel Mapping)</b>	250–255	No function
<b>96</b>	<b>Beam 2(pixels 15–28) FX crossfade</b> <b>(see Pixel Mapping)</b>	000–002	Snap from cell to cell Fade duration:short to long
		003–255	
<b>97</b>	<b>Control*</b>	000–005	No function
		006–010	Off (dimmer mode)
		011–015	Dimmer 1
		016–020	Dimmer 2
		021–025	Dimmer 3
		026–030	600 Hz
		031–035	1200 Hz
		036–040	2000 Hz
		041–045	4000 Hz
		046–050	6000 Hz
		051–055	25 KHz
		056–060	Fan mode auto
		060–065	Fan mode on
		066–070	Tilt reset

		071-075	Plate 1 invert off
		076-080	Plate 1 invert on
		081-085	Plate 2 invert off
		086-090	Plate 2 invert on
		091-095	Beam 1 invert off
		096-100	Beam 1 invert on
		101-105	Beam 2 invert off
		106-110	Beam 2 invert on
		111-115	Plate swap on
		116-120	Plate swap off
		121-125	Beam swap on
		126-130	Beam swap off
		131-255	No function

## **REMARK**

The product has perfect performance and integrity packing. All users should be strictly comply with the warning and operating instructions as stated. Or we aren't in charge of any result by misusing. Any damage resulting by misuse is not within the Company's warranty. Any fault or problem caused by neglecting the manual is also not in the charge of dealers. Errors and omissions for every information given in this manual excepted. All information is subject to change without prior notice.

**Thank you again for your patronage!**  
**We will be offering sincere service as always,**  
**Wish you have a good lighting journey!**